


PRODUCT SHEET

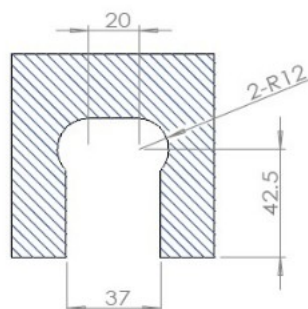
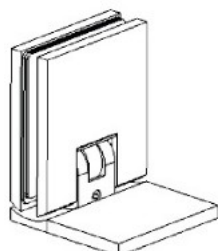
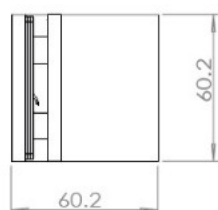
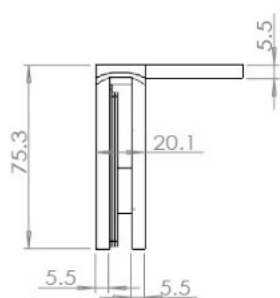
Description:

Shower Hinge "Lima", Wall/Glass, Brushed Brass, Offset Back 6-10mm Glass Thickness, W/15 DG Angle Adjustment Function &, 25DG Return Function, Brass Material, Hidden Screws., Black Rubber Gaskets: 2 x 1mm & 2 x 2mm Thickness., Load Capacity Pr. Pair: 45kg

Item number:

15.26.805-6

Units	Box	Carton	HS Code	Barcode
Pcs.			8302100090	
				5704866519052



SISO A/S

Mileparken 11
DK-2740 Skovlunde
Denmark
VAT: 24786013

Phone +45 45 830 900

www.siso.dk
siso@siso.dk

Danske Bank
Nytorv Branch
Copenhagen
SWIFT: DABADKKK

Account no.
4180 3112 112936
IBAN Account
DK7230003112112936